

LEDDL210-32XX-WHITE • LEDDL210-45NW-WHITE

LED 210MM CUTOUT DOWNLIGHTS

This dimmable LED downlight range covers most lighting levels required for residential applications. They are extremely robust and reliable, coming with a dimmable leading or trailing edge driver, and are designed to provide minimal glare. Their compact design means they can be installed into the tightest of cavity spaces and thermal management ensures maximum light output for an extended period of time. The standard surround faceplate is white, black and silver are available on special order. Dali and 1-10V driver options are also available on special request.



TECHNICAL SPECIFICATIONS

Power Consumption	32W	45W
Input Voltage/ Output Current	200-240 V AC, 50/60Hz	
Fixture Lumens	2495lm (3000K) 2656lm (4000K) 2720lm (5000K)	4220lm (4000K)
LED Lighting Efficiency	85lm/W	
Colour Temperature	(WW) Warm White 3000K (NW) Natural White 4000K (PW) Pure White 5000K	
Colour Rendering (Ra)	>83	
Power Factor	>0.95	
IP Rating	IP44 front face, IP20 driver	
Lifespan	35,000 hours	
LED	SAMSUNG LM80, L70	
Eco-friendly	ROHS	
Materials	Oxidised Aluminium, High Quality PMMA	
Driver	Dimmable – leading or trailing edge. Short circuit protection	
Working Temperature	-20°C to 50°C	
Dimensions	230mm Faceplate, 210mm Cutout	
Faceplate Colour	White	

FEATURES

- Reduce Energy Costs by up to 50%
- IC Rating – abutted & covered
- External PF constant current driver
- Only 20°C heat gain on heat sink
- 3-Year Limited Warranty

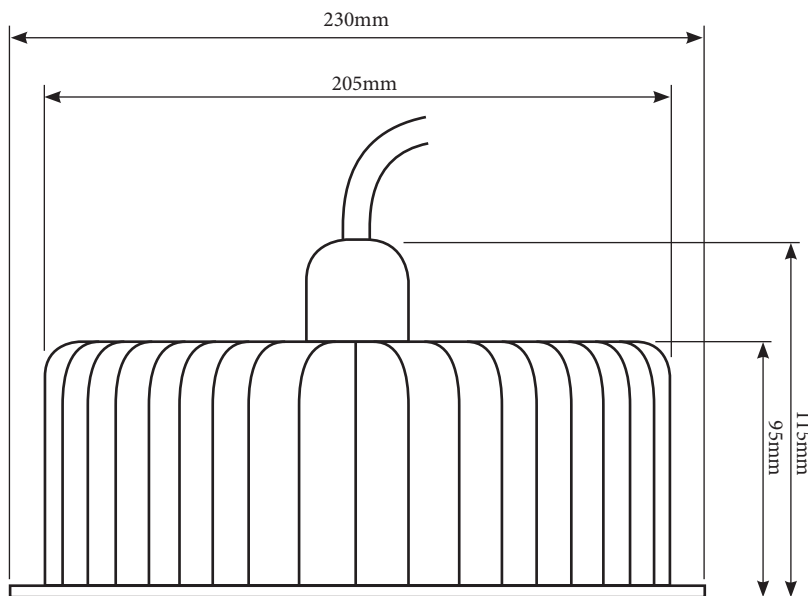
Product Codes	Description
LEDDL210-32WW-WHITE	32W, Warm White (3000K) - White faceplate
LEDDL210-32NW-WHITE	32W, Natural White (4000K) - White faceplate
LEDDL210-32PW-WHITE	32W, Pure White (5000K) - White faceplate
LEDDL210-45NW-WHITE	42W, Natural White (4000K) -White faceplate

* This rating is for downlights only, the driver is excluded. It is recommended the driver is positioned on the closest ceiling joist, in free air with good ventilation

PRODUCT IMAGES



DIMENSIONS



78 Cryers Road
East Tamaki
Auckland.
NEW ZEALAND
phone: 64 9 272 5619